

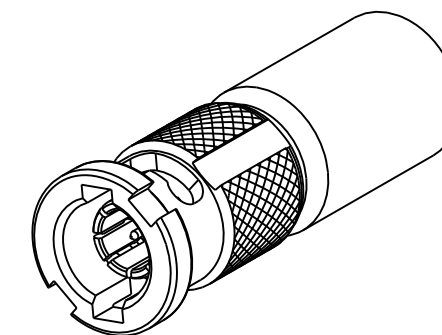
NOTES:

1. MATERIALS AND FINISHES:  
 BODY - BRASS, GOLD PLATING  
 OUTER BODY - BeCu, GOLD PLATING  
 BAYONET SLEEVE - BRASS, NICKEL PLATING  
 CONTACT - BeCu, GOLD PLATING  
 INSULATOR - PTFE
2. ELECTRICAL:  
 A. IMPEDANCE: 75 OHM  
 B. FREQUENCY RANGE: DC - 4 GHz  
 C. RETURN LOSS: 30 dB MIN @ 3 GHz
3. MECHANICAL:  
 A. DURABILITY: 500 CYCLES MIN.  
 B. TEMPERATURE RANGE: -65° C TO +165° C
4. HIGH DENSITY INSTALLATION/REMOVAL TOOL: 227-T2000.
5. PACKAGING:  
 A. QUANTITY: SINGLE PACK  
 B. MARKING: BAG TO BE MARKED  
 "AMPHENOLRF, APH-HDBNCP-T, AND DATE CODE"

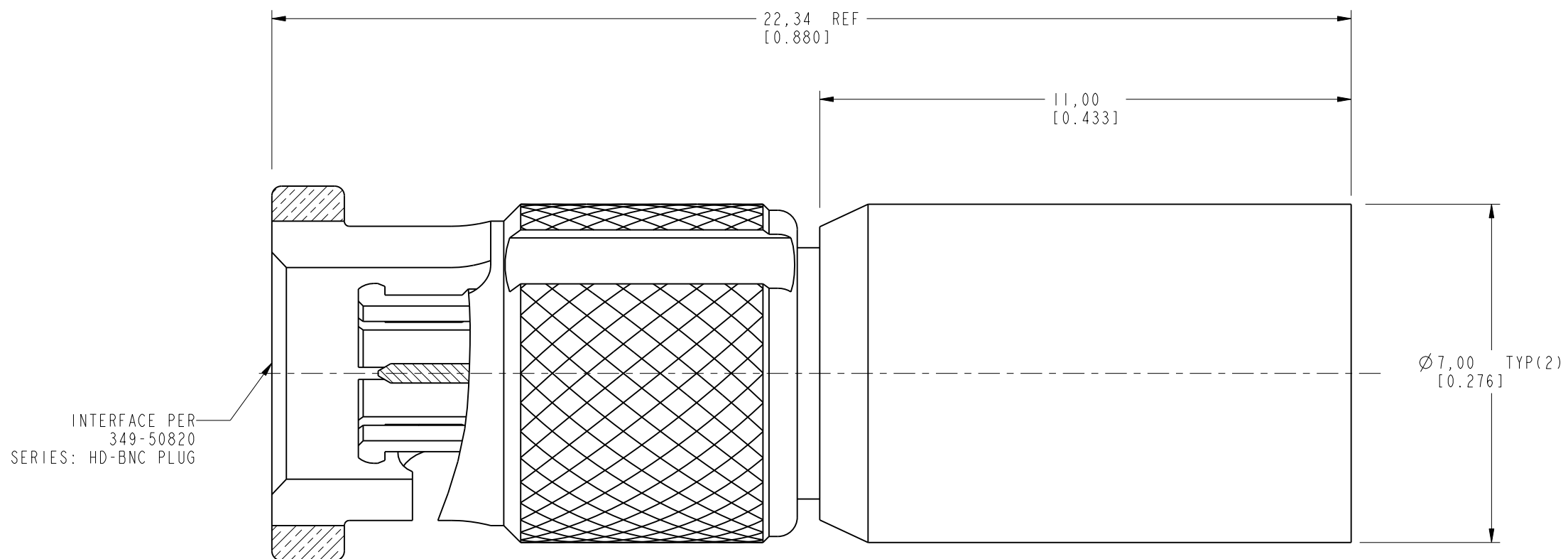
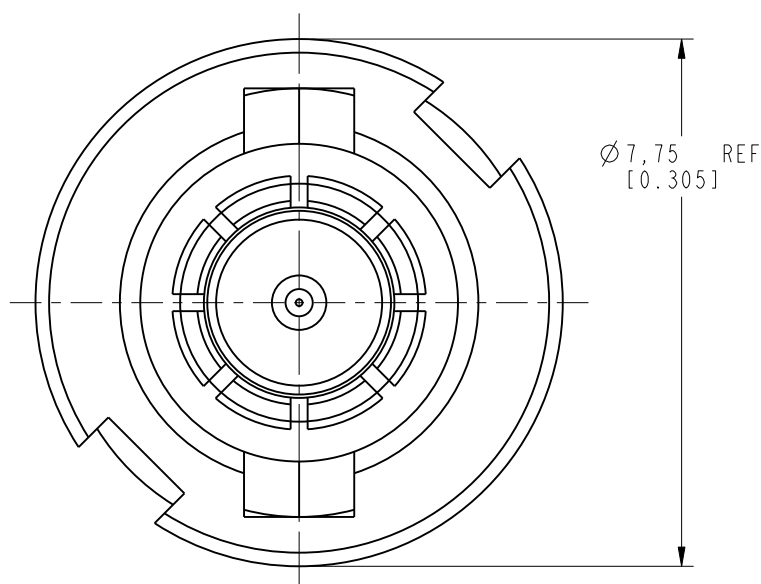
THIRD ANGLE PROJ.

REVISIONS

REV	DESCRIPTION	DATE	ECO	APPR
A	RELEASED TO MFG	7/19/10	48098	NMV



SCALE 3.000



INTERFACE PER  
349-50820  
SERIES: HD-BNC PLUG

**CUSTOMER OUTLINE DRAWING**

ALL OTHER SHEETS ARE FOR INTERNAL USE ONLY

UNLESS OTHERWISE SPECIFIED, DIMENSIONS ARE IN METRIC AND TOLERANCES ARE:  
 <0.5mm ±0.05mm    0.5 - 6mm ±0.1mm    6 - 30mm ±0.2mm    30 - 120mm ±0.3mm    ANGLES ±1°

NOTICE - These drawings, specifications, or other data (1) are, and remain the property of Amphenol corp. (2) must be returned upon request; and (3) are confidential and not to be disclosed to any person other than those to whom they are given by Amphenol Corp. the furnishing of these drawings, specifications, or other data by Amphenol Corp., or to any other person to anyone for any purpose is not to be regarded by implication or otherwise in any manner licensing, granting rights to permitting such holder or any other person to manufacture, use or sell any product, process or design, patented or otherwise, that may in any way be related to or disclosed by said drawings, specifications, or other data.

MATERIAL SEE NOTES	DRAWN NISCHIT MV	DATE 11-Mar-10
REFERENCE EAR # 3969	ENGINEER NISCHIT MV	DATE 11-Mar-10
CONFIGURATION LEVEL: Prototype	APPROVED K. CAPOZZI	DATE 7/19/10
FINISH	Root Folder/HD-BNC/APH-HDBNCP-T	

TITLE HD-BNC, PLUG TERMINATION	SCALE: 9.0:1.0	SHEET 2 OF 2
DWG SIZE B	REV A	

DRAWING NO. APH-HDBNCP-T	
ITEM NO. APH-HDBNCP-T	
PART NO. APH-HDBNCP-T	

<b>Amphenol RF</b>	
Danbury CT USA, Tainan, Taiwan, Shenzhen, China www.amphenolrf.com	